



Follow Spot
GTD-1500FS
User's Manual

Guangzhou GTD Lighting Technology Co., Ltd.

Tel: +86-20-61808296

Fax: +86-20-61812282

<http://www.gtd-lighting.com>








©2017 GTD all rights reserved. Information, specifications, diagrams, images, and instructions herein are subject to change without notice. GTD logo and identifying product names and numbers herein are trademarks of GTD. Copyright protection claimed includes all forms and matters of copyrightable materials and information now allowed by statutory or judicial law or hereinafter granted. Product names used in this document may be trademarks or registered trademarks of their respective companies and are hereby acknowledged. All non-GTD brands and product names are trademarks or registered trademarks of their respective companies.

GTD and all affiliated companies hereby disclaim any and all liabilities for property, equipment, building, and electrical damages, injuries to any persons, and direct or indirect economic loss associated with the use or reliance of any information contained within this document, and/or as a result of the improper, unsafe, insufficient and negligent assembly, installation, rigging, and operation of this product.

Contents

- Safety instructions..... 3**
- General guidelines..... 4**
- Packing and shipping 5**
 - Unpacking 5
 - Packing after use..... 5
- Accessories 5**
- Product introduction 6**
- Installation 6**
 - Tripod set-up 6
 - Lamp Fitting and Adjustment 7
 - Color/gobo filter Replacement 8
 - Sighting Device Installation..... 8
- Technical specification 9**
- Cleaning and maintenance 11**
- Troubleshooting 12**
- System wiring diagram 14**
- Spare parts list 15**
- Appendix 1 15**

Safety instructions

	<p>WARNING!</p> <p>Before using the fixture, read the latest version of the product user manual, paying particular attention to the safety instructions. Please check www.gtd-lighting.com for the latest revision/update of the user manual. The manufacture of this fixture, are not responsible for damages, resulting from misuse of this fixture, due to the disregard of the information printed in this user manual.</p>
	<p>DANGER!</p> <p>Hazardous voltage. Risk of lethal or severe electric shock.</p>
	<p>WARNING!</p> <p>Burn hazard. Hot surface. Do not touch.</p>
	<p>WARNING!</p> <p>Fire hazard.</p>
	<p>INDOORS USE ONLY!</p> <p>Do not expose fixture for rain and moisture.</p>
	<p>It's essential that the fixture is properly grounded. Only qualified personnel should perform electrical connections.</p>
	<p>WARNING!</p> <p>Wear protective eyewear. Never look directly into the light source.</p>

- Only qualified and certified personnel should perform installation of this fixture and only the original rigging parts (brackets) included with this fixture should be used for installation.
- Before applying power to the fixture, check that the source voltage matches the fixture's requirement. Every fixture must be earthed (grounded) and installed in accordance with local electricity regulations. Do not connect it to a dimmer system.
- Never look directly into the light source of this fixture to prevent risk of injury to your retina, which may induce blindness.

General guidelines

- Never open this fixture while in use.
- The fixture should be kept clean. **DO NOT** operate the fixture in extreme heat or dusty environments. Avoid contact with chemical liquid.
- This fixture is a professional light effect designed for **INDOOR / DRY LOCATIONS ONLY** on stage, in nightclubs, theatres, etc.
- **Minimum** distance to lighted objects must be **9.84feet (3m)**.
- **Maximum** temp of the external surface **302°F (150°C)**.
- **Maximum** ambient temperature **113°F (45°C)**.
- **Minimum** distance of inflammable materials from the surface **1.6 feet (0.5m)**.
- Lamp should be changed if damaged or distorted in shape due to extreme heat.
- Cover, prism with visible damages such as cracks or scratches must be replaced to ensure performance of the fixture.
- Disconnect the fixture from power before changing any parts or accessories.
- Make sure that the installation area can hold a minimum point load of 10 times the weight of all installed fixtures, cables, auxiliary equipment, etc. Certified safety cables must always be used when installing the fixture.
- The fixture is only intended for installation, operation and maintenance by qualified professional. Instructions stated in the manual must be complied.
- The fixture must be kept in a well-ventilated place at least 50 cm away from any wall surface. Check if the fans or ventilation openings are unblocked.
- This fixture uses discharge lamp. To avoid reducing the lamp's life, wait at least 15 minutes after powering off to allow the unit to cool down before handling.
- Broken or damaged cables can only be fixed or changed by certified technicians, certified local distributors or the manufacturer to ensure operational safety.
- Do not stick filters or other materials onto the lens. Do not modify the fixture or install other than GTD manufactured parts.
- For questions regarding safety operation, please contact our technical personnel or call the service hotline +8620 61808296.

Packing and shipping

Unpacking

Notes

All products are quality controlled and checked for any faults before they are dispatched to customers. If the fixture is damaged during delivery, the customer must notify the shipper and manufacturer to file a damage insurance claim. Photographic evidence of the damage must be provided.

Flight-Case

Open the cover of the flight-case and remove the plastic packing bags. Hold the handles of the fixture firmly and take it out carefully.

Packing after use

1. Switch off the fixture and wait for at least 5 minutes before disconnecting it from AC power. Cool down the fixture for at least 15 minutes before packing.
2. Flight case: Wrap the fixture in plastic bags. Hold it by the handles, and then carefully place it inside the flight case along with all the accessories. Close the cover. Only 2 layers are allowed when piling up the flight cases. Do not upside down.

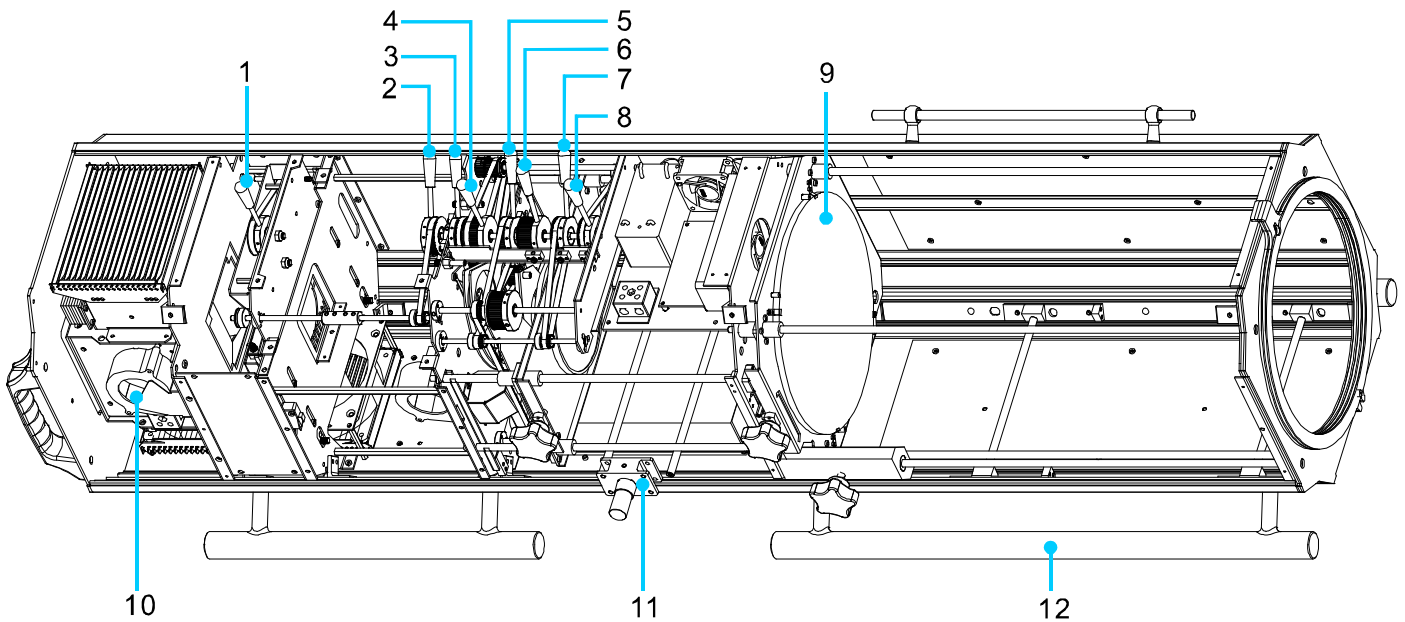
Accessories

Item	Qty	Unit	Notes
User Manual	1	pc	-
Tripod	1	pc	
Sighting device	1	set	
Power cable	1	pc	3.2m

Notes

Accessories are subject to change without any prior written notice.

Product introduction



- | | | | | | |
|----|--------------------------|----|------------------|----|--------|
| 1 | Color temperature module | 2 | Dimmer | 3 | Iris |
| 4 | Blade 1 | 5 | Blade 2 | 6 | Frost |
| 7 | Color wheel 2 | 8 | Color wheel 1 | 9 | Lens |
| 10 | Lamp base module | 11 | Connected module | 12 | Handle |

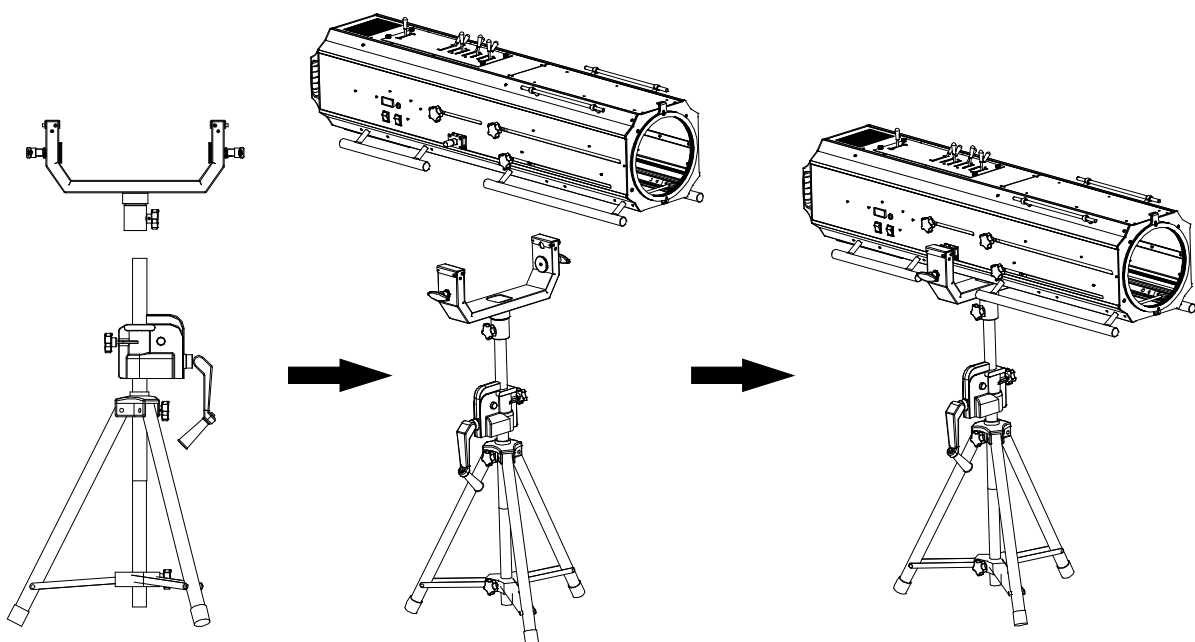
Installation

Tripod set-up

Mount the fixture on top of the tripod and fasten the screws properly. Adjust the height of the tripod using the handles.

⚠Warning

Keep the fixture at least 1m away from any inflammable materials before connecting to power.



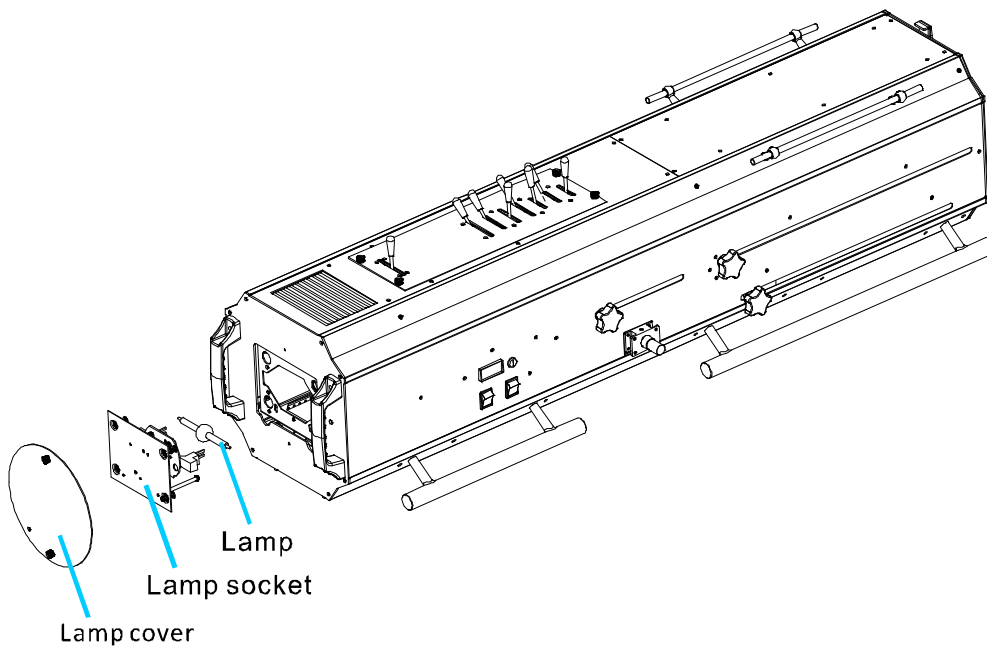
Lamp Fitting and Adjustment

Warning

Fitting the other type of lamps will cause potential hazard or damage to the fixture. Please change the lamp before it reaches its lifespan. Read the "guidelines" in the package carefully when fixing the lamp.

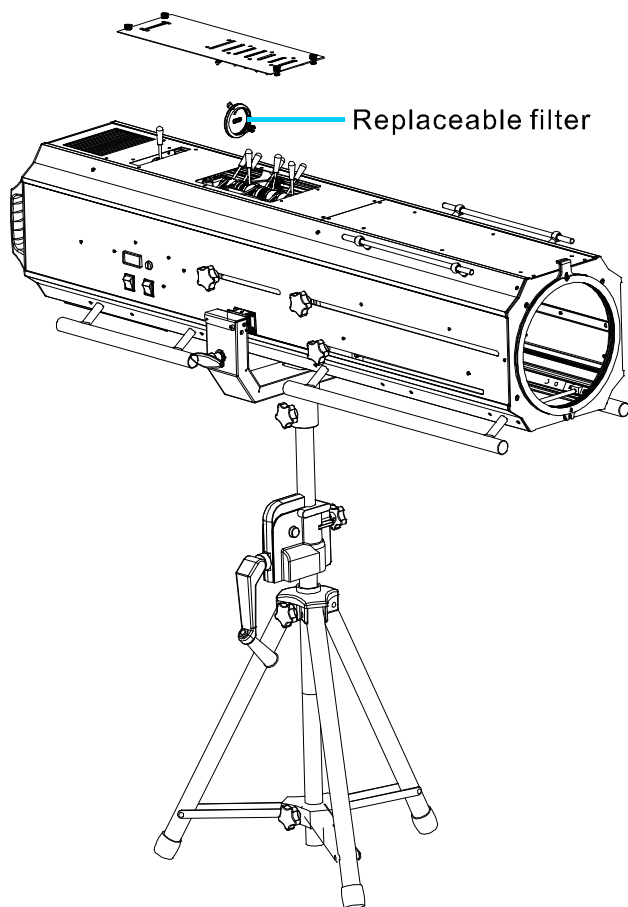
Do not touch the bulb of the new lamp with bare hand. The lamp must be always kept clean. Avoid smudges on the glass.

1. Disconnect from power. Cool down the fixture for at least 15 minutes.
2. Lamp removal: Hold the lamp cover and lift it to expose the lamp socket, then grab the lamp and take it out of the socket.
3. Lamp installation:
 - Ensure that the spot on the lamp is facing backwards, the sphere is facing forward.
 - Slide the lamp horizontally into the socket.
 - Rotate the lamp until its metallic contacts is in the slot.
 - Push the metallic contacts downwards till they are securely installed.(Attention: Always check if the lamp is securely installed before using.)
4. Install the socket assembly, then tighten the screws on the lamp cover.



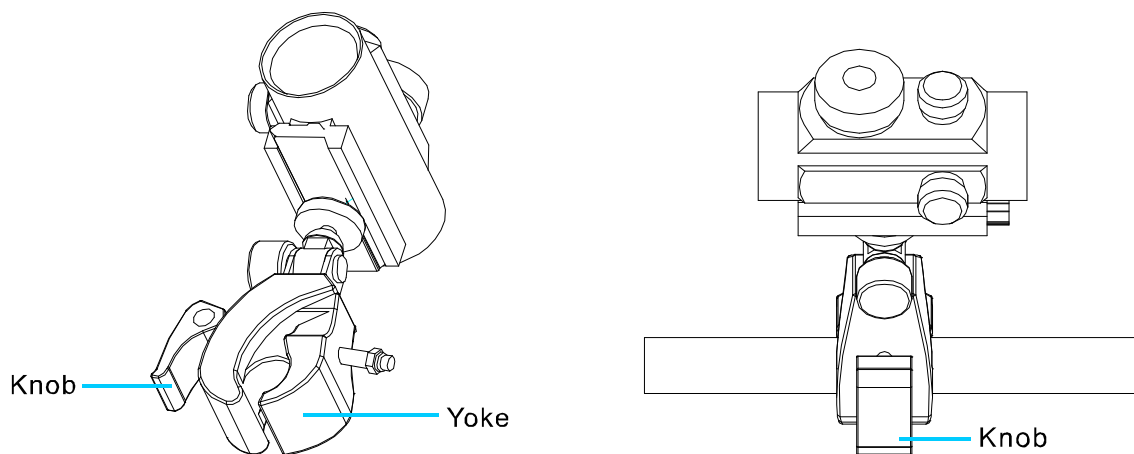
Color/gobo filter Replacement

Remove the cover first then change the filter. Ensure the filter is placed correctly using the mounting hole.



Sighting Device Installation

Unfasten the knob to mount the sighting device on the stabilizing bar. Tighten the knob until the device is safely mounted.



Technical specification

Optical

- Light source: OSRAM SHARXS HTI 1500W/D7/60 or PHILIPS MSR Gold 1510SA/DE
- Expected average lifetime: 750 hours
- Beam angle (zoom): 4° - 8° (Manually adjustable)
- Focus: Variable range, from 15m to infinity (Manually adjustable)
- Ballast: Electronic

Photometric

- Total Output (Lumen): 14400 lumens narrow / 15900 lumens wide
- Color temperature: 6000K~3200K manually adjustment

Color

Color wheel: 2 color wheels, 3 colors + 1 changeable color/gobo + open

Electrical

- Power input, nominal: AC 200-240V, 50/60Hz
- Max. Power consumption: 1736W, max current: 8.8A, PF: 0.98
- Power supply unit: Auto-ranging electronic SMPS
- Main fuse: 250V/15A

Physical / Installation

- Fixture weight: 50 kg (110 lbs.), tripod weight: 8KG (18 lbs.)
- IP rating: IP20
- Material: Aluminum, steel, plastic
- Mounting points: Mounting for tripod
- Minimum distance to combustible materials: 0.5 m (1.64ft.)
- Minimum distance to illuminated surfaces: 3 m (9.84ft.)

Dynamic effects

- Pan/Tilt movement: Manually adjustable
- Iris: Manually adjustable
- Dimmer: Mechanical manually adjustable

Thermal

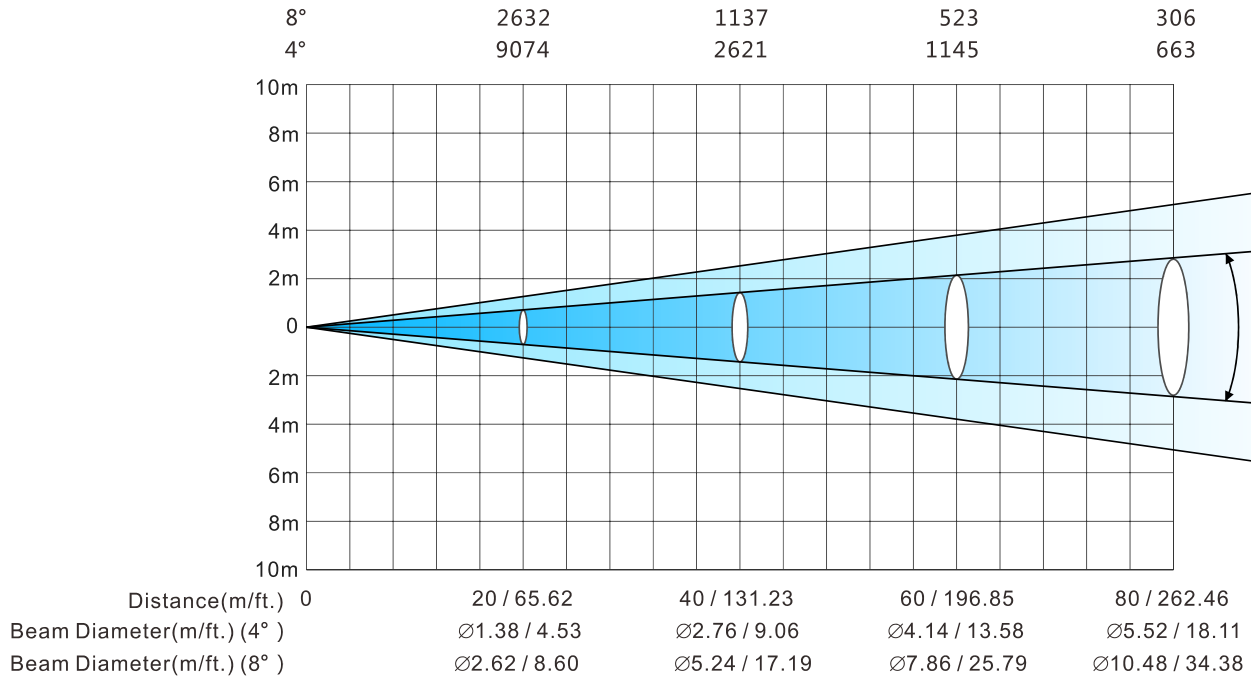
- Operating range: 14°F to 113°F (-10°C to +45°C)
- Startup range: 5°F to 113°F (-15°C to +45°C)
- Storage range: -40°F to 140°F (-40°C to +60°C)
- Cooling: Active fan
- Humidity: ≤85%

Certification and Safety

- EMC: EN 55103-1:2009, EN 55103-2:2009, EN 61000-3-2:2006+A2:2009, EN 61000-3-3:2013
- Safety: EN 60598-2-17:1989/A2:1991

Photometric

Illuminance(LUX)



Other features

- Energy efficient, long lifetime, compact and quiet with even distribution.
- One external sighting device for simple and precise operation.
- One Tripod for operation, adjustable and easy to operate.
- Linear color temperature adjustment for applications in different venues.
- Lamp timer for monitoring lamp condition.

Cleaning and maintenance

It is required that the fixture should be kept clean and well maintained to ensure its reliability. Its lifespan mainly depends on the working environment and proper operation. Should you have any questions, please consult a technical engineer of GTD Lighting.

Notes

Damage resulted from dust, smoke, oil or improper use is not covered by warranty.

Warning

Disconnect the fixture from AC power, and let it cool down for at least 15 minutes before opening the housing. Make sure to use a soft cloth to clean the optical components, and be careful, as the coating is easily scratched. Do not use any organic solvent such as alcohol to clean the reflector mirror, dichroic color filters or housing of the fixture.

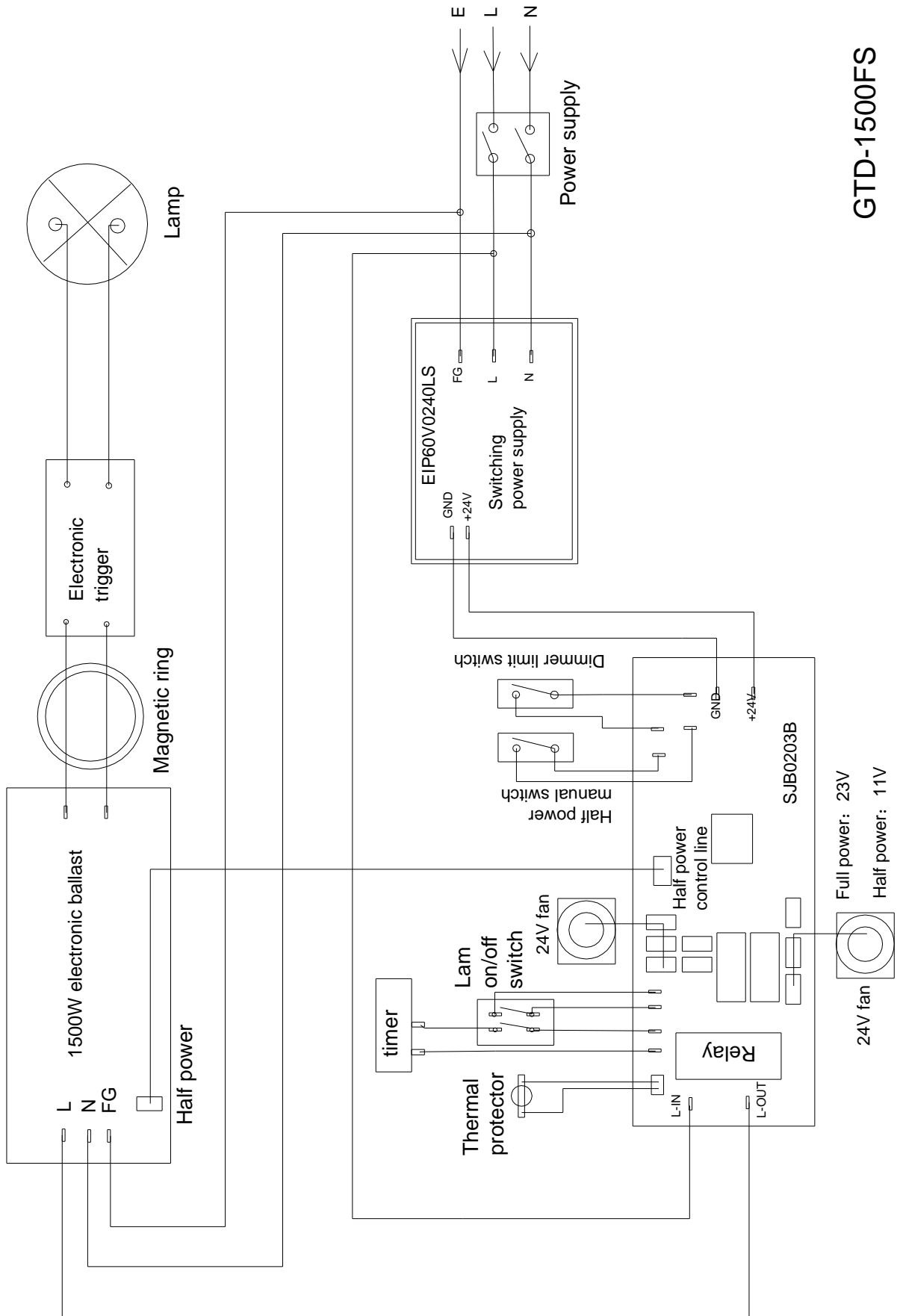
- If the lens is cracked or otherwise damaged, replace it immediately.
- If the lamp becomes damaged or deformed in any way it must be replaced.
- If the light from the lamp appears dim, this normally indicates that it is reaching the end of its life span and should be changed at once. Aged lamps run to the extremity of their life might explode.
- If fixture does not function, check the fuse on the power socket of the fixture. Replace the fuse of the same specification if it is blown.
- The fixture is equipped with thermal-protection device that will switch off the lamp in case of overheating. If this happens, please check that the fans are not blocked, and clean them if they are dirty. Check whether the fans are operational. If not, call a qualified technician. Troubleshoot and correct the problem before switching on the fixture again. Any maintenance work should only be carried out by qualified technicians.
- To ensure the continuous rotation of the rotating gobos and linear motion of the focus lens, it is recommended that the bearings on the rotating gobos and the 2 shafts for the focus system is lubricated periodically, preferably every 3-6 months. Use only high quality, high-temperature resistant grease. When lubricating the bearings, a syringe with a fine needle is the best way to grease the bearings around each gobo. Be aware not to use too much grease, and stain the parts around.

Troubleshooting

Problem	Possible Cause	Suggested Correction
No response after connected to A/C power	Power switch not turned on.	Turn on power switch.
	Take out the fuse and check if it is blown.	Locate the blown fuse. Remove the broken fuse. Insert a replacement fuse of the correct amperage.
	Abnormal A/C input (A/C power socket, power cables, luminaire power socket).	Replace AC power socket and power cables, and then adjust power socket for proper connection.
	No DC voltage from switching power supply.	Check if the switching power supply has DC voltage output. Replace the switching power supply.
No response or wrong response to the commands of the control system	DMX cables disconnected from fixture's DATA IN connector.	Connect DMX cable to the fixture's DATA IN connector.
	Open circuit or short circuit fault in the DMX cables.	Replace DMX cables as required.
	Wrong DMX address for the fixture in the control system.	Ensure the address in "Run setting > Address Setting > Address" of the fixture is consistent with the address in the control system.
	Misuse in "Channel setting > Channel Mode" of the fixture.	Choose the channel mode in "Channel setting > Channel Mode" of the fixture as required by the user.
	Malfunctioning of DMX cannon input/output connectors. No input/output voltage to the main control board of the fixture.	Troubleshooting the DMX XLR signal plate of the fixture, replace the main control board of the fixture.
The lamp does not start when switch is turned on	Normal end of lamp life.	Test the lamp in an adjacent fixture which is known to be operating properly and then replace as necessary.
	Whether the function of the relay board is intact, whether the signal is normal or not.	Repair or replace.
	Shorted leads between ballast and the lamp.	Replace components as required.
	Incorrect ballast output.	Check ballast output to determine if it conforms to lamp requirements. If voltage and current do not stabilize in five to ten minutes warm-up time, ballast output is incorrect and adjustment should be made. Check capacitor wiring, if visibly available, to determine if capacitors are properly wired.
	Incorrect triggers output.	Replace triggers.
The lamp is off unexpected	The fixture is in sleep mode.	Should the fixture is not in active use for "standby time", the sleep mode is enabled automatically to make it more stable and safer, sleep time can be customized.
	Lamp has been operating: cool down time insufficient.	Environmental conditions such as extreme temperatures will have the fixture stop working, the lamps will require a period of time to cool and re-establish optimum starting conditions. Restart time varies with the degree of ventilation built into it, ambient temperature, and draft conditions.
	Overheat ballast resulting in premature failure or damaged ballast.	The ballast incorporate internal automatic-resetting thermal protection, which deactivates the ballast should it overheat. Normal operation resumes once the ballast has cooled sufficiently. Burned-out or failing lamps, or high temperatures in or around the fixture, can cause the ballast to overheat, so we need solve the problem and replace components as required.
	Thermostat damaged.	Replace.

Problem	Possible Cause	Suggested Correction
Shaking, wrong position, and out of control gobo wheel	No function the connector between gobo wheel motor and drive, loose, damaged, or broken cables connecting the gobo wheel and drive.	Reconnect the gobo wheel motor to the drive, and replace cables as required.
	The gobo wheel motor's drive IC on the PCB might be out of condition.	Replace the drive having the same software version as required.
	Dislocated magnetic tube and positioning magnet, or damaged magnetic tube.	Calibrate the position of the magnetic tube to the positioning magnet, and replace magnetic tube as required.
	Shaking motor, wrong rotation angle, losing step or damaged motor.	Replace the motor as required.
Decreased brightness, uneven pattern projections	Normal end of lamp life.	Test the lamp in an adjacent fixture which is known to be operating properly and then replace as necessary.
	The midline of the lamp is not aligned with the center point of the effect assembly (consisting of the rotating gobo wheel, static gobo wheel, color wheel, strobe, prism, and frost), focus module, and object lens.	Reinstall the lamp. Adjust the lamp position until the midline of the lamp is aligned with the center point of the effect assemblies (consisting of the rotating gobo wheel, static gobo wheel, color wheel, strobe, prism, frost, the focus adjusting module, and the object lens).
	Excessive dusts or smudges on the effect assembly, focus module and objective lens.	Follow the instructions stated in this user manual to clean the effect assembly, focus module and objective lens.
	Damaged or deformed effect assembly, focus module or objective lens.	Replace the damaged or deformed components.
Wrong color	Normal end of lamp life.	Test the lamp in an adjacent fixture which is known to be operating properly and then replace as necessary.
	Excessive dusts or smudges on the rotating gobo wheel or color wheel.	Follow the instructions stated in this user manual to clean the rotating gobo wheel or color wheel.
	Rotating gobo wheel, color wheel with coating wearing off, damages or deformation.	Replace the worn-off, damaged or deformed rotating gobo wheel and color wheel.
Non-clear shape	Excessive dusts or smudges on the rotating gobo wheel or color wheel.	Follow the instructions stated in this user manual to clean the rotating gobo wheel or color wheel.
	Excessive dusts or smudges on the focus module or objective lens.	Follow the instructions stated in this user manual to clean the focus module or objective lens.
	Damaged or deformed focus module or objective lens.	Replace the damaged or deformed focus module or objective lens.

System wiring diagram

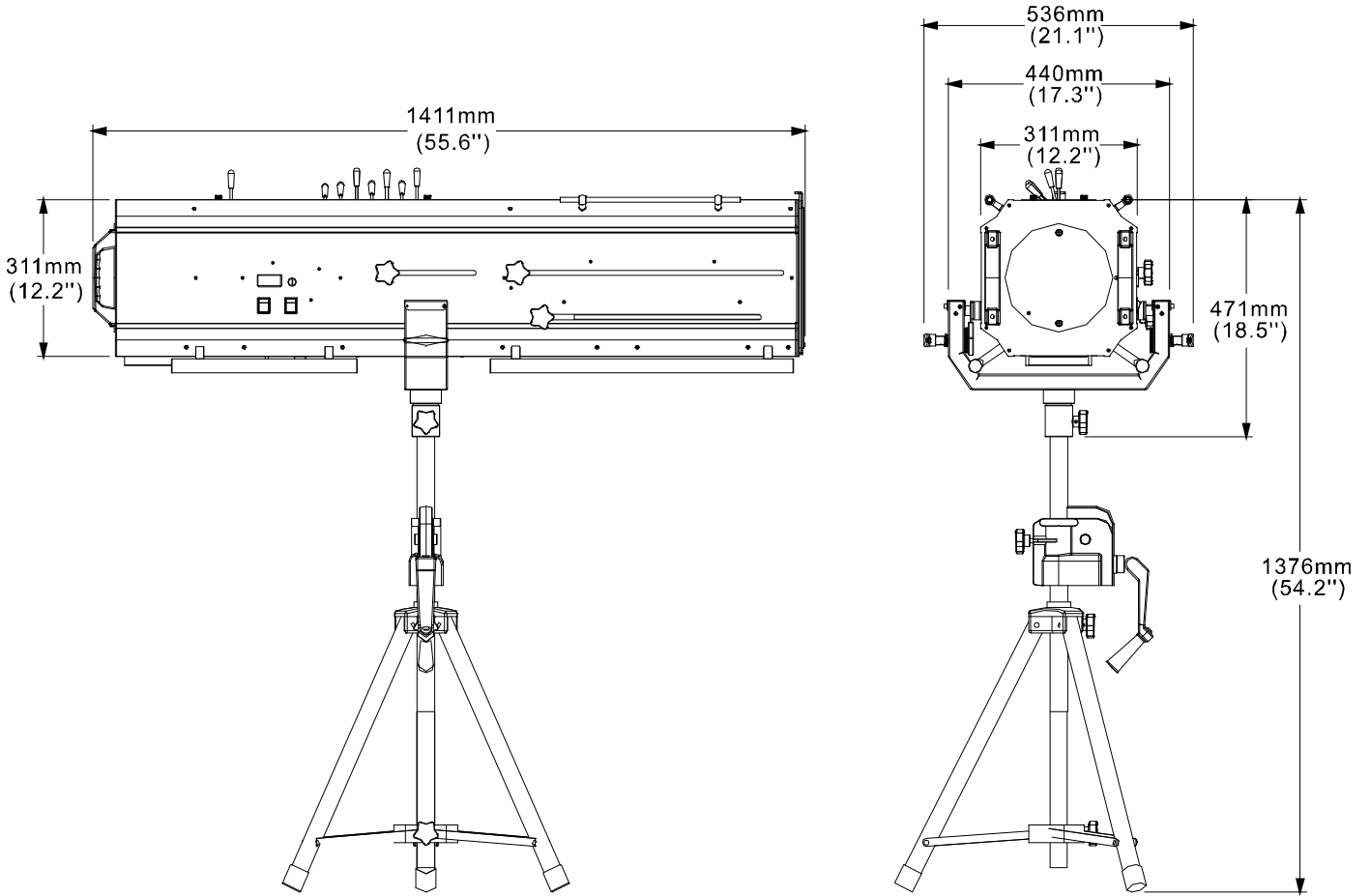


GTD-1500FS

Spare parts list

Item	P/N	Qty	Notes
Switching Power Supply	1412050035A	1	EIP060V0240LS (60W AC220V DC24V 2.5A)
electronic ballast	1412020001A	1	EP81500AC-E2 1500W (IN:198V-264V AC 47-63HZ OUT: APPROX 280V)
Fan drive board	5809010218A	1	1500FS-101G10 SJB0203B
Lamp	1306010004A	1	SHARXS HTI 1500W/D7/60

Appendix 1



Notes:

P/N: 1502011051A

Time: May 20th, 2017